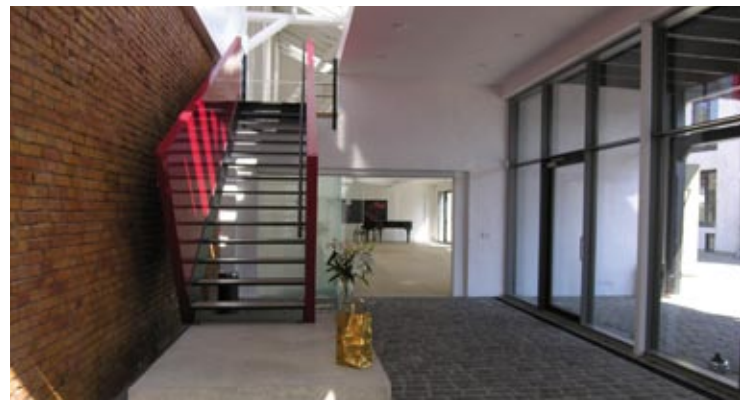




MEINERTZ CONVEC COMFORT PANELS

MEINERTZ

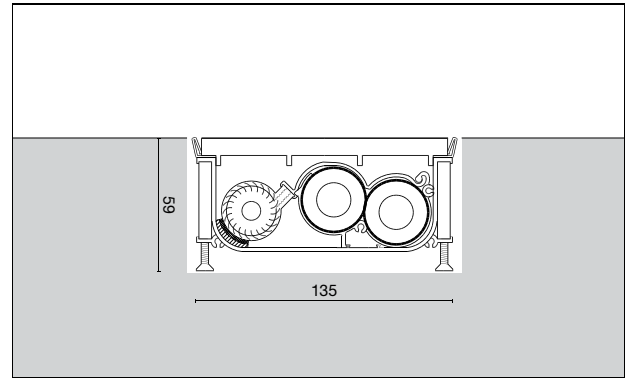




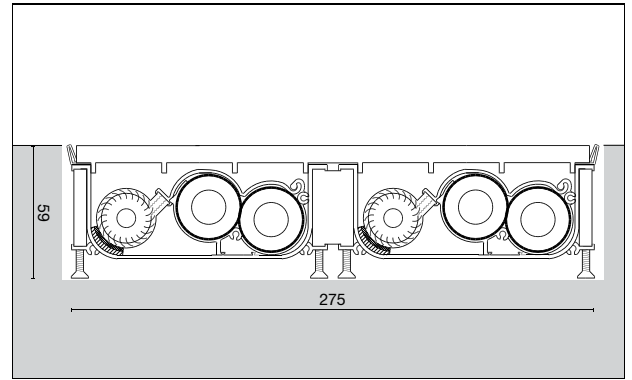
FloorLine Make no mistake! Convec Comfort Panels may be the smallest and most compact heating system on the market, but their performance easily bears comparison with large, traditional heat sources. Both the design and dimensions are minimalist to a degree which allows FloorLine to be integrated into all kinds of new property and renovations. FloorLine can be integrated into floors as a discreet architectural detail, harmoniously juxtaposed with large windows to guard against cold downdraughts, built into walls as an alternative to free-hanging radiators, or included as a design element in shelving, window sills, and much more. Only the elegantly-finished black or brushed aluminium grilles are visible. The panels can be supplied in lengths of from 1000 to 3500 mm as desired, or as multiple units without visible joints of up to 15 metres length, in single or double width.



FLOORLINE



FLOORLINE TWIN



When nothing else will go the distance

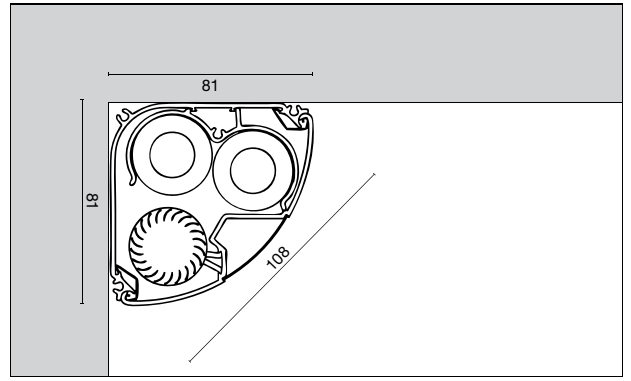




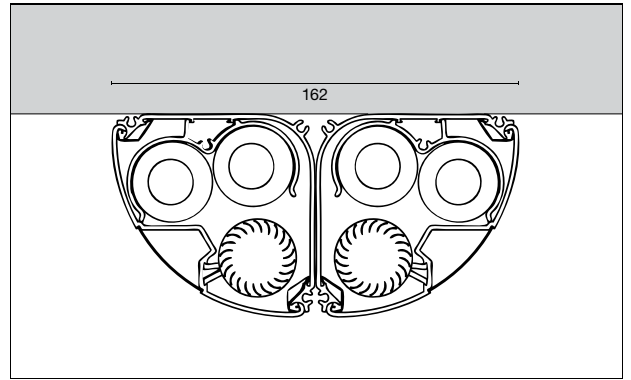
InLine A unique, exclusive and highly compact design in black and brushed aluminium, which offers unprecedented opportunities to integrate the heating system into room architecture. InLine is designed for mounting directly on walls, along ceilings, in corners and under windows and cable boxes, which makes the panels ideal for use in existing buildings. InLine can also be built into walls, so that only the curved front is visible. The panels are supplied in lengths of between 1000 and 3500 mm, individually adapted to the location in question, and with no visible joints in the front. Panels can be joined in the same pipe sequence in lengths of up to 15 metres, and two panels can be mounted in parallel along the wall, forming a semicircle. InLine panels provide the same large heat output as FloorLine.



INLINE



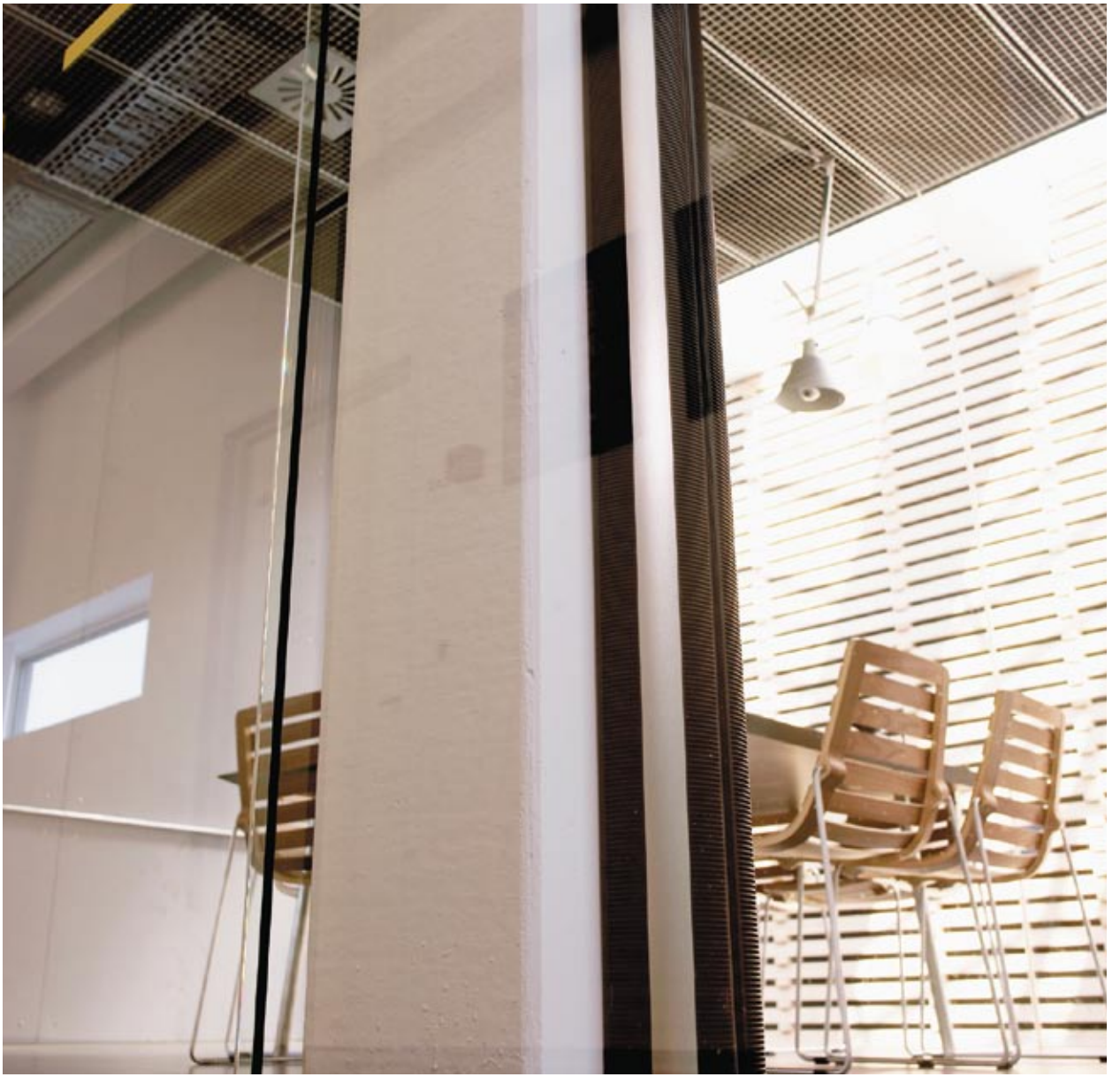
INLINE TWIN



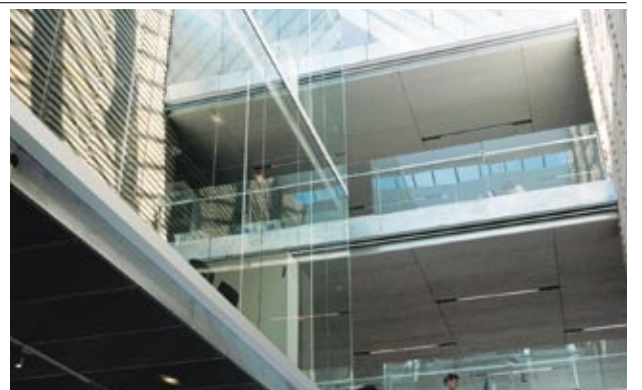
Danish
design with
an edge







MEINERTZ Convec underlines unique architecture



1 Two finned copper tubes transport the heated water back and forth along the full length of the panel.

2 An electrically-operated impeller drives an airflow across the finned tubes, so that the heat is expelled evenly into the room right along the length of the panel. This design allows the heating device to work with quite low water temperatures, and the room temperature can be altered by several degrees within a very short space of time. The impeller's speed immediately adjusts to the temperature of the room, thereby ensuring stable room temperatures.

3 The impeller is driven by a sturdy, maintenance-free, low-noise electric motor with very low power consumption.

4 The room temperature is regulated by a thermostat linked to the panel's motor control.

5 The cartridge design contains guiding profiles which create optimum air flow around the finned pipes.

6 The materials and components of Convec Comfort Panels are of uncompromising high quality. FloorLine comes with black anodised or brushed aluminium fins, processed to an extremely high finish, while the front of the InLine panels is in a combination of black anodised and brushed aluminium.





Technical data

MEINERTZ Convec Comfort Panels

Use:

MEINERTZ Convec Comfort Panels may be used for heating or cooling. The installation requirements are calculated in the same way as when dimensioning traditional water-borne systems, and connection to the piping system is by means of standard ½" pipe threads – which means that the panels can be connected to all types of heating pipes.

Lengths:

MEINERTZ Convec Comfort Panels are supplied in the desired length, in panel units of from 1000 to 3500 mm. Several units can be joined in series in the same pipe sequence, up to a total length of 15 metres.

Colours:

MEINERTZ Convec FloorLine is supplied as standard with black anodised or brushed aluminium grilles, but can also be supplied in any RAL or NCS colours, as desired.

MEINERTZ Convec InLine is supplied as standard with a front panel in a combination of black anodised and brushed aluminium, but the front panel can be supplied in any RAL or NCS colours, as desired.

Delivery:

All MEINERTZ Convec Comfort Panels are custom-made for the individual projects, but our efficient production system ensures short delivery times.

Environmental factors:

MEINERTZ is a CO₂-neutral company that exclusively utilises energy from alternative energy sources. All of our products are made of materials that are 100% recyclable. All our transport packaging is made from plain wood.

Technical Information:

Technical data sheets and information on type designations, performance, sockets, etc. may be downloaded from www.meinertz.com – or contact our consultants at tel. +45 8652 1811.

Further information:

Technical data sheets and information on type designations, performance, sockets, etc. may be downloaded from www.meinertz.com or obtained from our consultants.

You can find lots of ideas for creative uses of MEINERTZ products at our website and in our inspiration catalogue.





MEINERTZ is more MEINERTZ means Danish design and Danish craftsmanship. All of our products are custom-made in Denmark to match the specific dimensions and requirements of the individual projects. MEINERTZ also manufactures ProLine convection grilles which, on a larger scale, integrate heat sources in buildings with glass panels from floor to ceiling. The MEINERTZ range also encompasses a wide selection of convectors and radiators as well as finned tubes, which are an ideal and efficient choice for heating large spaces, and in places where the rustic or colourful pipes can function as sculptural forms in the building.

MEINERTZ A/S
Sverigesvej 16
DK-8700 Horsens
Denmark
Tel. +45 8652 1811
Fax +45 8652 1515
E-mail meinertz@meinertz.com
www.meinertz.com

www.moesgaard-as.dk | UK 01-2010

MEINERTZ

